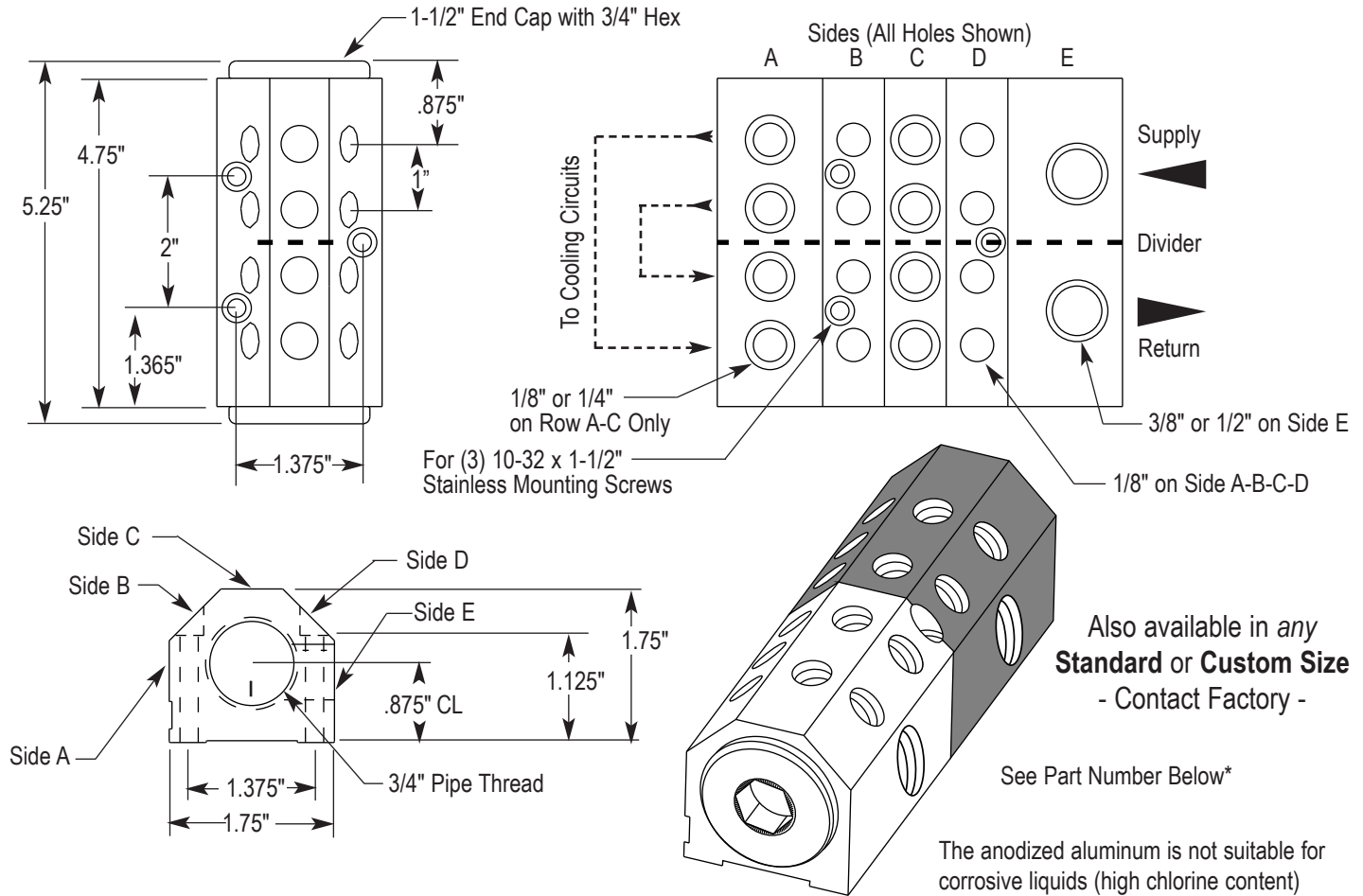


3/4" x 5" Sideline™ Manifold - 1 = 1/4"

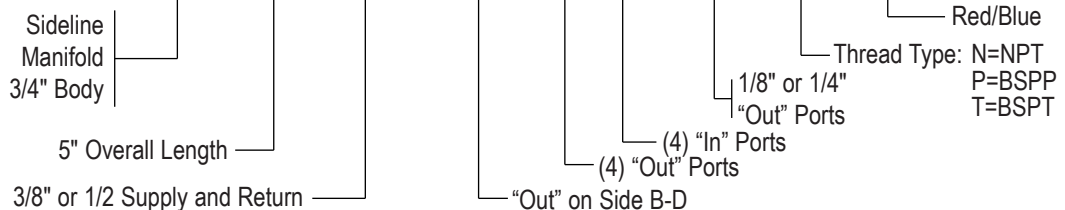


Outgoing Ports					Part Number	Price
Side A In/Out	Side B In/Out	Side C In/Out	Side D In/Out	Side E - Return In/Out		
	(2) (2) 1/8"-1/8"				IM3S-5-3/8-B-2-2-1/8-N-R/B	\$112.00
(2) (2) 1/8"-1/8"	(2) (2) 1/8"-1/8"				IM3S-5-3/8-AB-4-4-1/8-N-R/B	\$124.00
	(2) (2) 1/8"-1/8"		(2) (2) 1/8"-1/8"		*IM3S-5-3/8-BD-4-4-1/8-N-R/B	\$124.00
	(2) (2) 1/8"-1/8"	(2) (2) 1/8"-1/8"	(2) (2) 1/8"-1/8"		IM3S-5-3/8-BCD-6-6-1/8-N-R/B	\$136.00
(2) (2) 1/8"-1/8"	(2) (2) 1/8"-1/8"	(2) (2) 1/8"-1/8"	(2) (2) 1/8"-1/8"		IM3S-5-3/8-ABCD-8-8-1/8-N-R/B	\$148.00
	(2) (2) 1/4"-1/4"				IM3S-5-1/2-B-2-2-1/4-N-R/B	\$112.00
	(2) (2) 1/4"-1/4"		(2) (2) 1/4"-1/4"		IM3S-5-1/2-BD-4-4-1/4-N-R/B	\$124.00

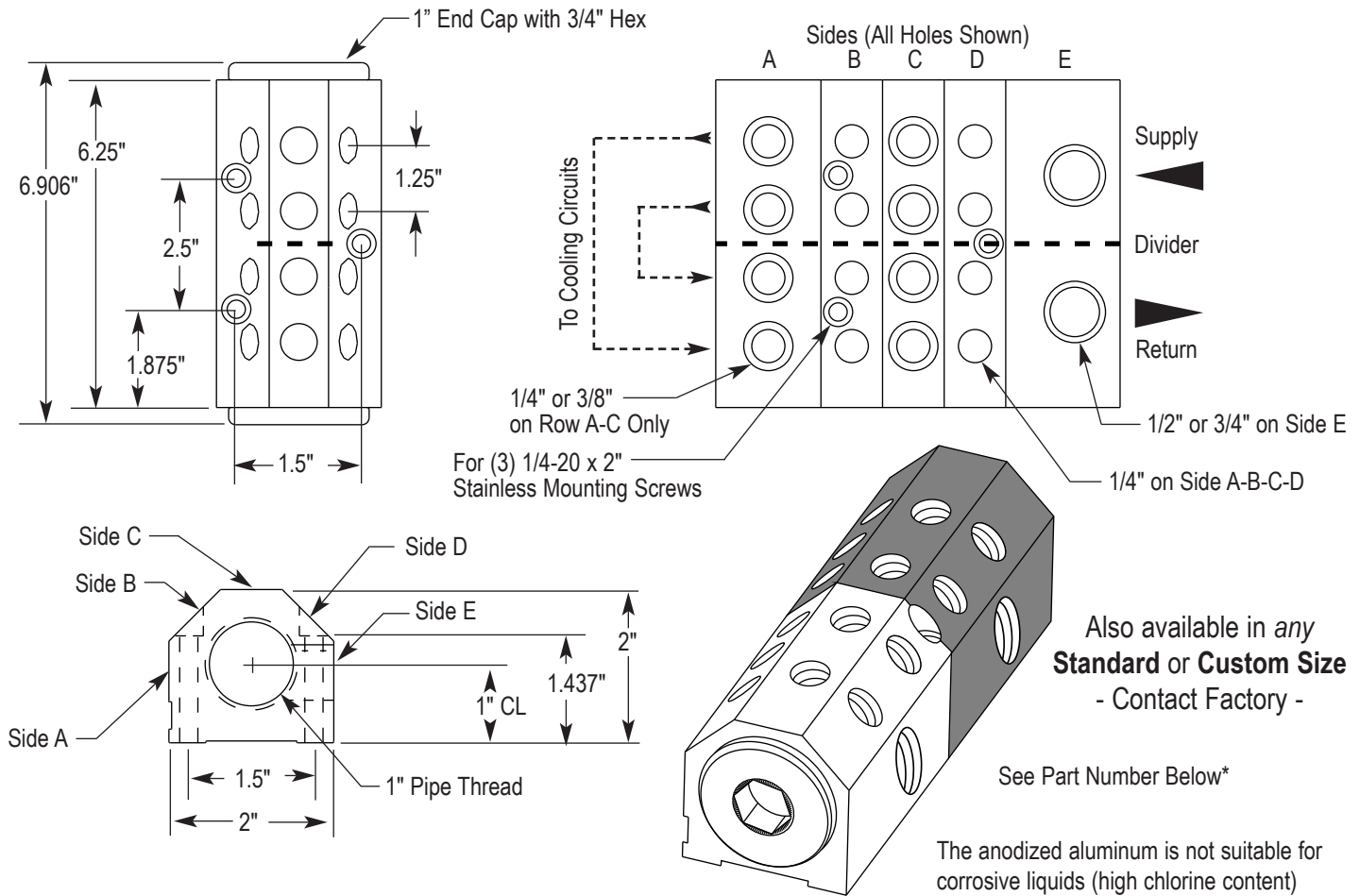
PRICE INCLUDES: End Caps and (3) 10-32 x 1-1/2" ST. ST. Mtg. Screws. ADDITIONAL 3/4" End Caps \$8.00 ea.

*Part Number Code:

IM3S-5-3/8-BD-4-4-1/8-N-R/B



1" x 7" Sideline™ Manifold - 1 = 1/4"

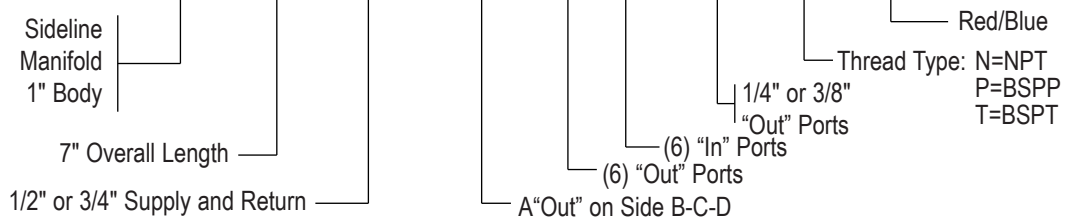


Outgoing Ports					Part Number	Price
Side A In/Out	Side B In/Out	Side C In/Out	Side D In/Out	Side E - Return In/Out		
	(2) (2) 1/4"-1/4"			1/2"-1/2"	IM4S-7-1/2-B-2-2-1/4-N-R/B	\$137.00
(2) (2) 1/4"-1/4"	(2) (2) 1/4"-1/4"			1/2"-1/2"	IM4S-7-1/2-AB-4-4-1/4-N-R/B	\$149.00
	(2) (2) 1/4"-1/4"		(2) (2) 1/4"-1/4"	1/2"-1/2"	IM4S-7-1/2-BD-4-4-1/4-N-R/B	\$149.00
	(2) (2) 1/4"-1/4"	(2) (2) 1/4"-1/4"	(2) (2) 1/4"-1/4"	1/2"-1/2"	*IM4S-7-1/2-BCD-6-6-1/4-N-R/B	\$161.00
(2) (2) 1/4"-1/4"	(2) (2) 1/4"-1/4"	(2) (2) 1/4"-1/4"	(2) (73) 1/4"-1/4"	1/2"-1/2"	IM4S-7-1/2-ABCD-8-8-1/4-N-R/B	\$173.00
	(2) (2) 3/8"-3/8"			3/4"-3/4"	IM4S-7-3/4-B-2-2-3/8-N-R/B	\$137.00
	(2) (2) 3/8"-3/8"		(2) (2) 3/8"-3/8"	3/4"-3/4"	IM4S-7-3/4-BD-4-4-3/8-N-R/B	\$149.00

PRICE INCLUDES: End Caps and (3) 1/4-20x2" ST. ST. Mtg. Screws. ADDITIONAL 1" End Caps \$10.00 ea.

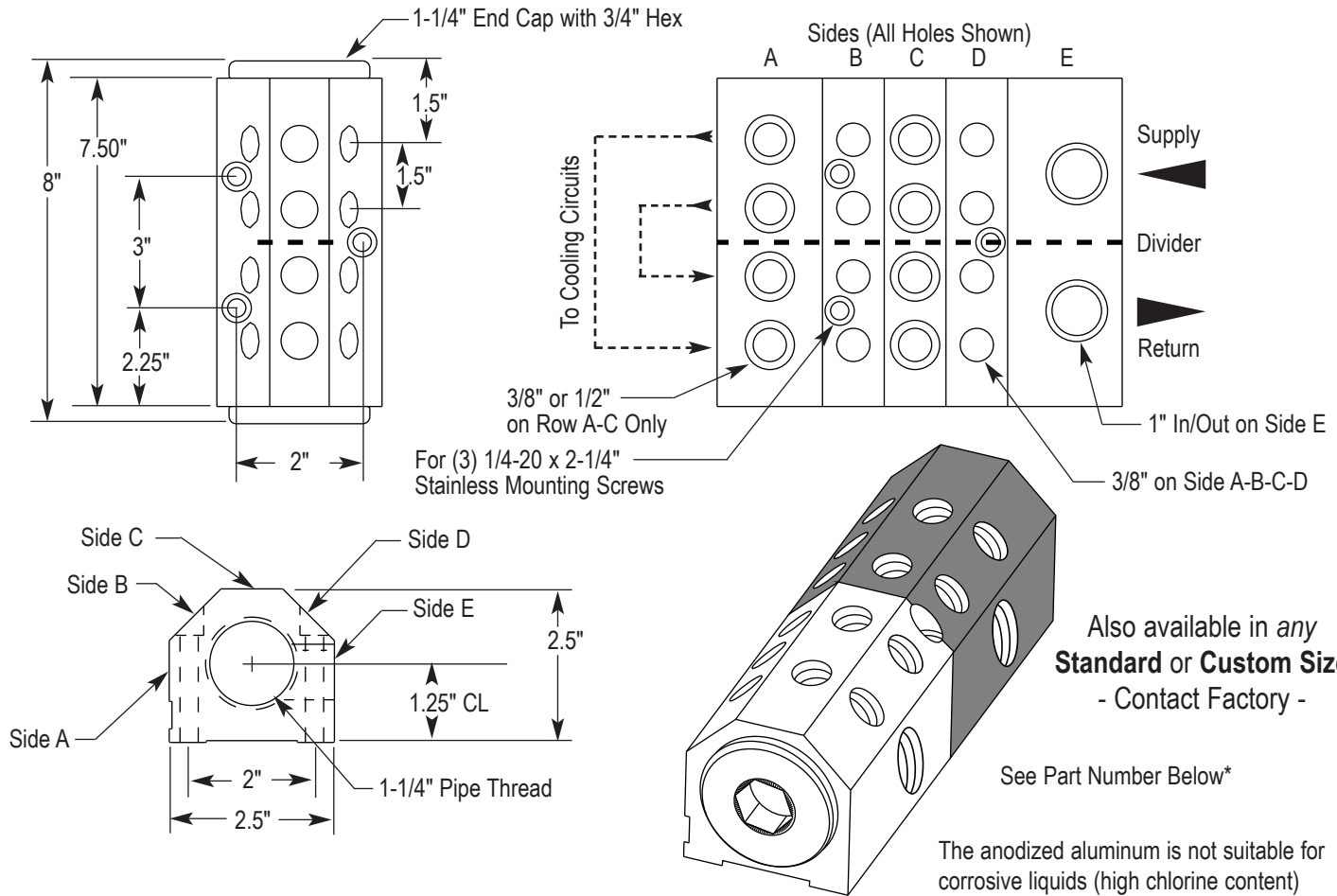
*Part Number Code:

IM4S-7-1/2-BCD-6-6-1/4-N-R/B



CITO-FP-PRICE-22-0812

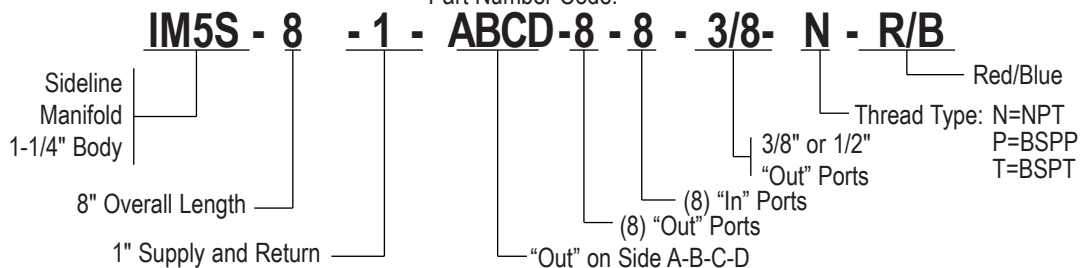
1-1/4" x 8" Sideline™ Manifold - 1 = 1/4"



Outgoing Ports					Part Number	Price
Side A In/Out	Side B In/Out	Side C In/Out	Side D In/Out	Side E - Return In/Out		
	(2) (2) 3/8"-3/8"			1"-1"	IM5S-8-1-B-2-2-3/8-N-R/B	\$166.00
(2) (2) 3/8"-3/8"	(2) (2) 3/8"-3/8"			1"-1"	IM5S-8-1-AB-4-4-3/8-N-R/B	\$182.00
	(2) (2) 3/8"-3/8"		(2) (2) 3/8"-3/8"	1"-1"	IM5S-8-1-BD-4-4-3/8-N-R/B	\$182.00
	(2) (2) 3/8"-3/8"	(2) (2) 3/8"-3/8"	(2) (2) 3/8"-3/8"	1"-1"	IM5S-8-1-ABC-6-6-3/8-N-R/B	\$198.00
(2) (2) 3/8"-3/8"	(2) (2) 3/8"-3/8"	(2) (2) 3/8"-3/8"	(2) (2) 3/8"-3/8"	1"-1"	*IM5S-8-1-ABCD-8-8-3/8-N-R/B	\$214.00
	(2) (2) 1/2"-1/2"			1"-1"	IM5S-8-1-B-2-2-1/2-N-R/B	\$166.00
	(2) (2) 1/2"-1/2"		(2) (2) 1/2"-1/2"	1"-1"	IM5S-8-1-BD-4-4-1/2-N-R/B	\$182.00

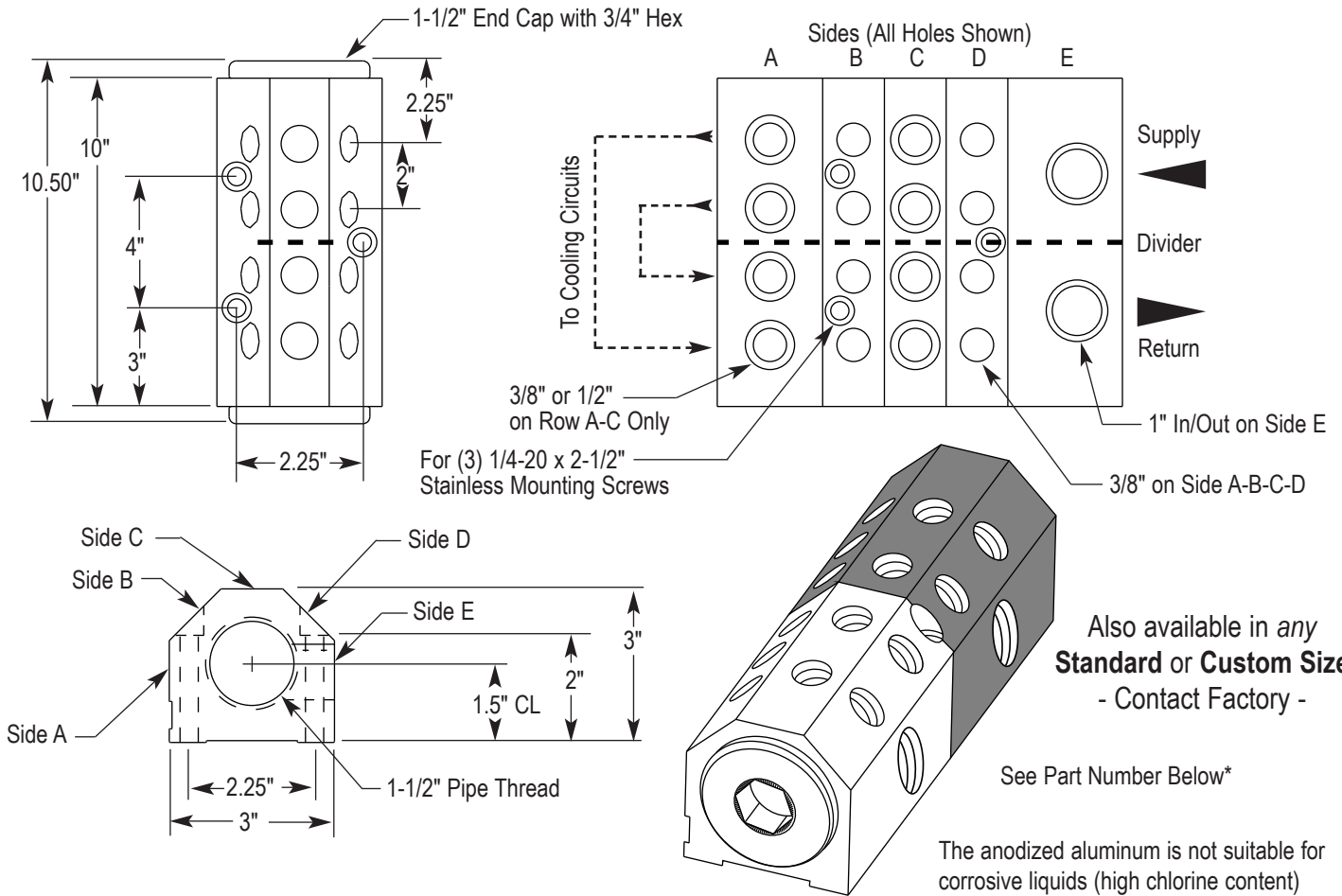
PRICE INCLUDES: End Caps and (3) 1/4-20 x 2-1/4" ST. ST. Mtg. Screws. ADDITIONAL 1-1/4" End Caps \$12.00 ea.

*Part Number Code:



CITO-FP-PRICE-21-0812

1-1/2" x 10" Sideline™ Manifold - 1 = 1/4"

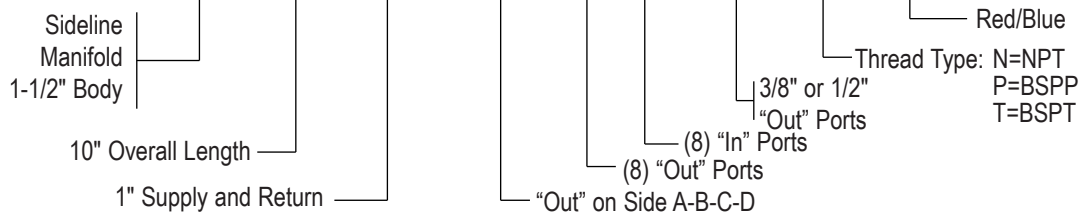


Outgoing Ports					Part Number	Price
Side A In/Out	Side B In/Out	Side C In/Out	Side D In/Out	Side E - Return In/Out		
	(2) (2) 3/8"-3/8"			1"-1"	IM6S-10-1-B-2-2-3/8-N-R/B	\$200.00
(2) (2) 3/8"-3/8"	(2) (2) 3/8"-3/8"			1"-1"	IM6S-10-1-AB-4-4-3/8-N-R/B	\$220.00
	(2) (2) 3/8"-3/8"		(2) (2) 3/8"-3/8"	1"-1"	IM6S-10-1-BD-4-4-3/8-N-R/B	\$240.00
	(2) (2) 3/8"-3/8"	(2) (2) 3/8"-3/8"	(2) (2) 3/8"-3/8"	1"-1"	IM6S-10-1-ABC-6-6-3/8-N-R/B	\$240.00
(2) (2) 3/8"-3/8"	(2) (2) 3/8"-3/8"	(2) (2) 3/8"-3/8"	(2) (2) 3/8"-3/8"	1"-1"	*IM6S-10-1-ABCD-8-8-3/8-N-R/B	\$260.00
	(2) (2) 1/2"-1/2"			1"-1"	IM6S-10-1-B-2-2-1/2-N-R/B	\$200.00
	(2) (2) 1/2"-1/2"		(2) (2) 1/2"-1/2"	1"-1"	IM6S-10-1-BD-4-4-1/2-N-R/B	\$220.00

PRICE INCLUDES: End Caps and (3) 1/4-20 x 2-1/2" ST. ST. Mtg. Screws. ADDITIONAL 1-1/2" End Caps \$14.00 ea.

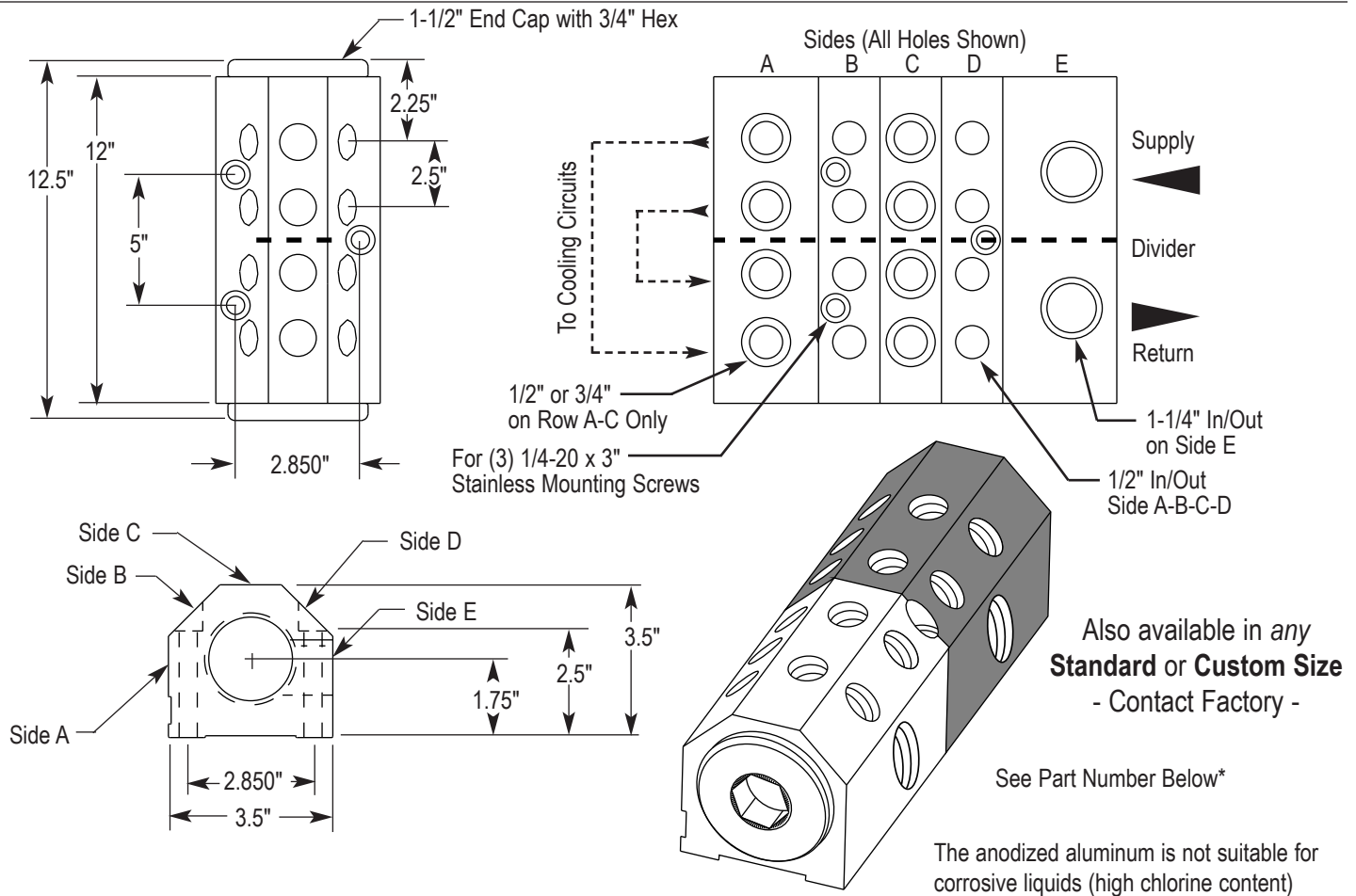
*Part Number Code:

IM6S - 10 - 1 - ABCD - 8 - 8 - 3/8 - N - R/B



CITO-FP-PRICE-22-0812

2" x 12" Sideline™ Manifold - 1 = 1/4"



Outgoing Ports					Part Number	Price
Side A In/Out	Side B In/Out	Side C In/Out	Side D In/Out	Side E - Return In/Out		
	(2) (2) 1/2"-1/2"			1-1/4"-1-1/4"	IM8S-12-1-1/4-B-2-2-1/2-N-R/B	\$252.00
(2) (2) 1/2"-1/2"	(2) (2) 1/2"-1/2"			1-1/4"-1-1/4"	IM8S-12-1-1/4-AB-4-4-1/2-N-R/B	\$276.00
	(2) (2) 1/2"-1/2"		(2) (2) 1/2"-1/2"	1-1/4"-1-1/4"	IM8S-12-1-1/4-BD-4-4-1/2-N-R/B	\$276.00
	(2) (2) 1/2"-1/2"	(2) (2) 1/2"-1/2"	(2) (2) 1/2"-1/2"	1-1/4"-1-1/4"	IM8S-12-1-1/4-BCD-6-6-1/2-N-R/B	\$300.00
(2) (2) 1/2"-1/2"	(2) (2) 1/2"-1/2"	(2) (2) 1/2"-1/2"	(2) (2) 1/2"-1/2"	1-1/4"-1-1/4"	*IM8S-12-1-1/4-ABCD-8-8-1/2-N-R/B	\$324.00
	(2) (2) 3/4"-3/4"			1-1/4"-1-1/4"	IM8S-12-1-1/4-B-2-2-3/4-N-R/B	\$252.00
	(2) (2) 3/4"-3/4"		(2) (2) 3/4"-3/4"	1-1/4"-1-1/4"	IM8S-12-1-1/4-BD-4-4-3/4-N-R/B	\$276.00

PRICE INCLUDES: End Caps and 1/4 - 20 x 3" ST. ST. Mtg. Screws. ADDITIONAL 2" End Caps \$16.00 ea.

*Part Number Code: **IM8S-12-1-1/4-ABCD-8-8-3/8-N-R/B**

Sideline Manifold 2" Body
 12" Long Overall Length
 1-1/4" Supply and Return
 (8) "In" Ports
 (8) "Out" Ports
 "Out" on Side A-B-C-D
 Red/Blue
 Thread Type: N=NPT, P=BSPP, T=BSPT
 3/8", 1/2" or 3/4"
 "Out" Ports

CITO-FP-PRICE-22-0812