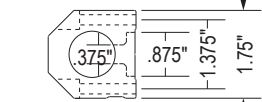
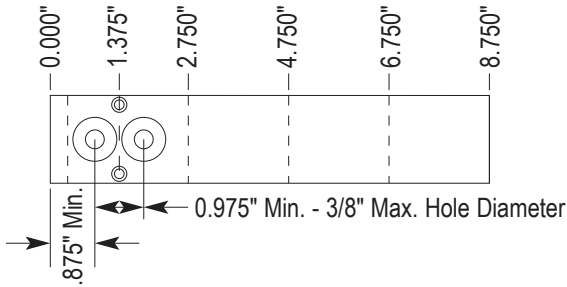


BottomLine™ Custom Mold Mounted Manifold

3/4" IM3



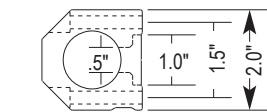
3/8" Hole Diameter
310 "O" Ring
ORDER # IMBL-3XX



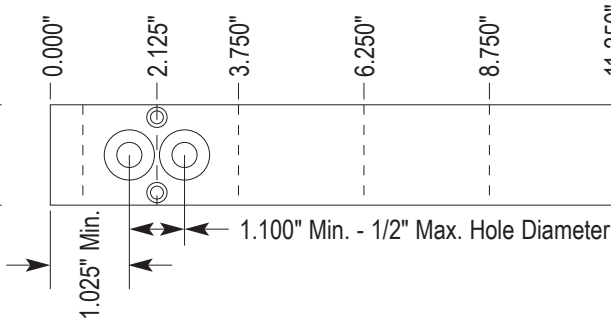
Submit your requirements for pricing
and delivery
CITO PRODUCTS INC.
ATTENTION: SALES DEPARTMENT

CITO will submit drawing
and assign part number
for all models

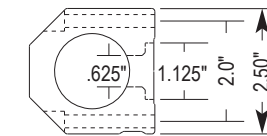
1" IM4



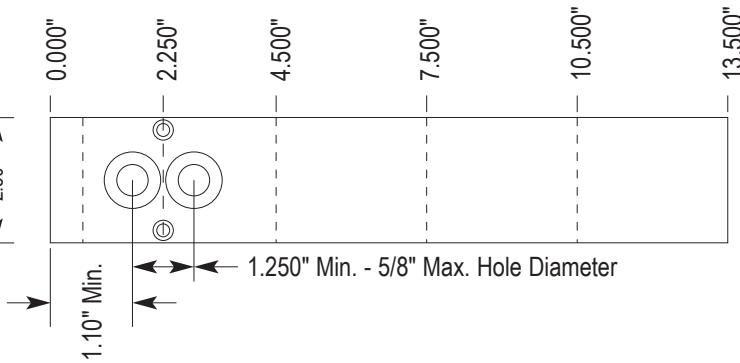
1/2" Hole Diameter
312 "O" Ring
ORDER # IMBL-4XX



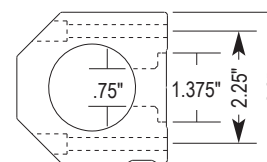
1-1/4" IM5



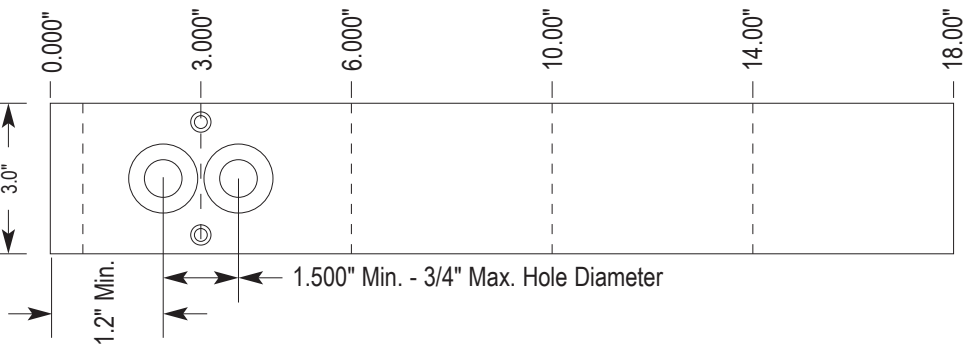
5/8" Hole Diameter
314 "O" Ring
ORDER # IMBL-5XX



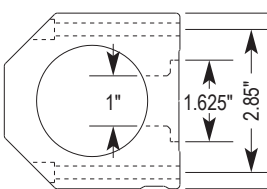
1-1/2" IM6



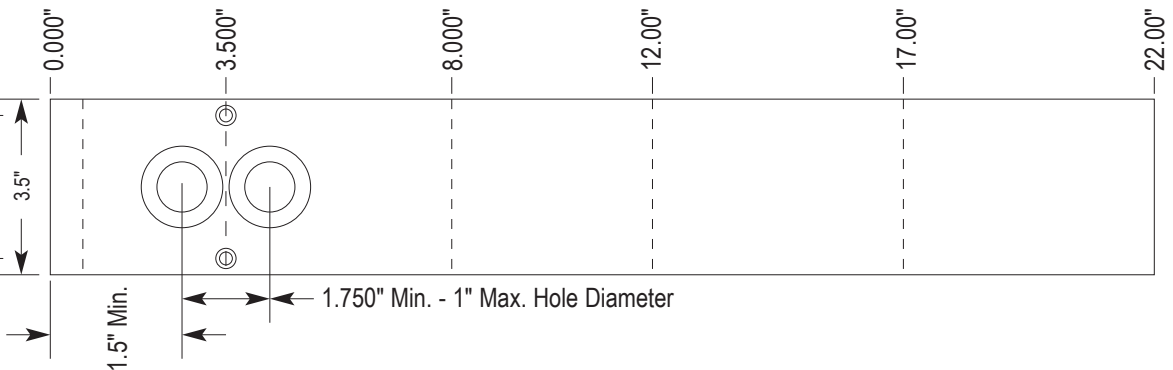
3/4" Hole Diameter
318 "O" Ring
ORDER # IMBL-6XX



2" IM8



1" Hole Diameter
322 "O" Ring
ORDER # IMBL-8XX



CITO-FP-PRICE-20-1023